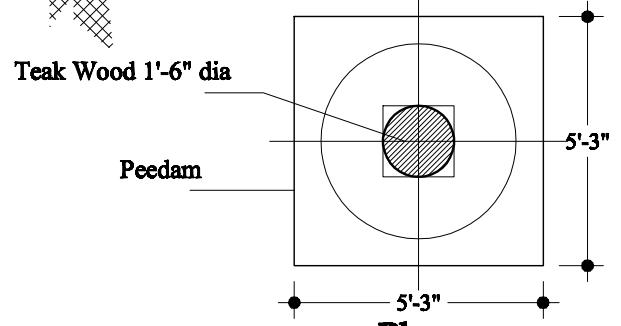
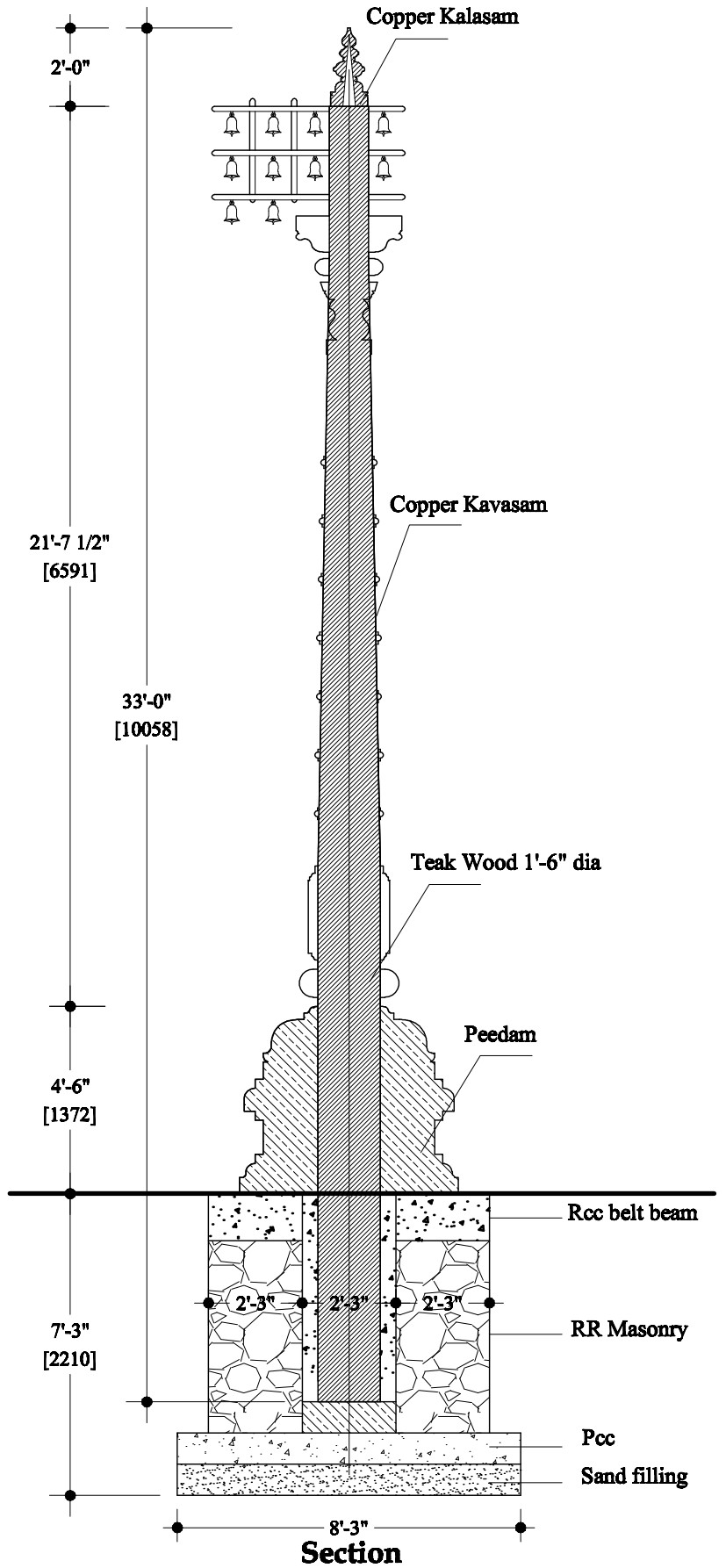


28'-0"
[8534]

Elevation



Plan



21'-7 1/2"
[6591]

33'-0"
[10058]

4'-6"
[1372]

7'-3"
[2210]

Section

Designed by:
Shilpaarav S.PERUMAL STHAPATI
 (Recipient of National Handicraft award from Govt of India)
 Traditional architect, Vastu Designer & Master sculptor
 Mamallapuram - 605 104, Cell: 9848995399.

Proposed Dwajasthampam Design for
A/m Sri Chakrawageswarar Temple at Chakrapalli,
Ayyampettai. (scale: 1/4 inches to a foot, date: 30-12-14)